

LEGEND

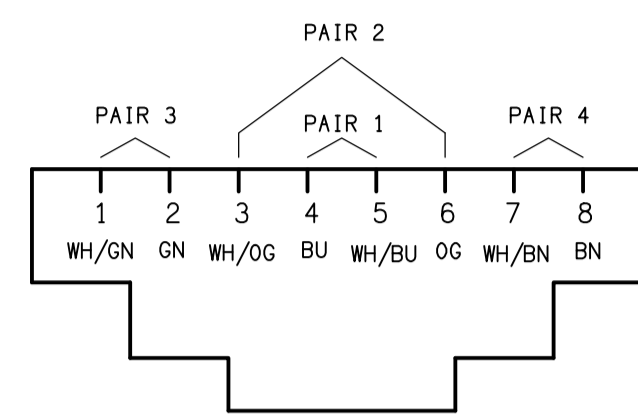
- ELECTRICAL SERVICES SWITCHBOARD.
- SWITCHBOARD / CONTROL PANEL NOT PROVIDED AS PART OF THE ELECTRICAL SUBCONTRACT.
- SINGLE POWER OUTLET.
- DOUBLE POWER OUTLET.
- DOUBLE POWER OUTLET C/W INTEGRAL USB CHARGERS.
- SPECIAL PURPOSE POWER OUTLET.
- SIGN OUTLET / CONNECTION.
- SINGLE PHASE ISOLATOR.
- THREE PHASE ISOLATOR.
- JUNCTION BOX.
- CONDUIT ROUTE.
- CABLE TRAY AS NOTED.
- ELECTRICAL PIT, TYPE AS NOTED.
- TELSTRA PIT.
- ELECTRICAL FLOOR BOX, TYPE AS NOTED.
- HAND DRYER CONNECTION.
- LIGHTING CONTROL SWITCH PANEL, TYPE AS NOTED.
- ONE-WAY LIGHT SWITCH.
- TWO-WAY LIGHT SWITCH.
- CIRCUIT LINE.
- SWITCH LINE.
- POWER CIRCUIT DESIGNATION. DENOTES DB AND CIRCUIT.
- LIGHTING CONTROL CHANNEL REFERENCE.
- MAIN DISTRIBUTION FRAME.
- ELECTRICAL EQUIPMENT AS NOTED.
- RJ45 COMMUNICATIONS OUTLET.
- NBN NETWORK TERMINATION DEVICE.
- NBN PREMISES CONNECTION DEVICE.
- SUPPLY AUTHORITY CODE COMPLIANT LV MAXIMUM DEMAND TARIFF METER.
- METERING TEST BLOCK METER.
- NETWORK DEVICE.
- CONTACTOR.
- GENERATION SIGNALLING DEVICE.
- DEMAND RESPONSE SITE CONTROLLER.

LEGEND

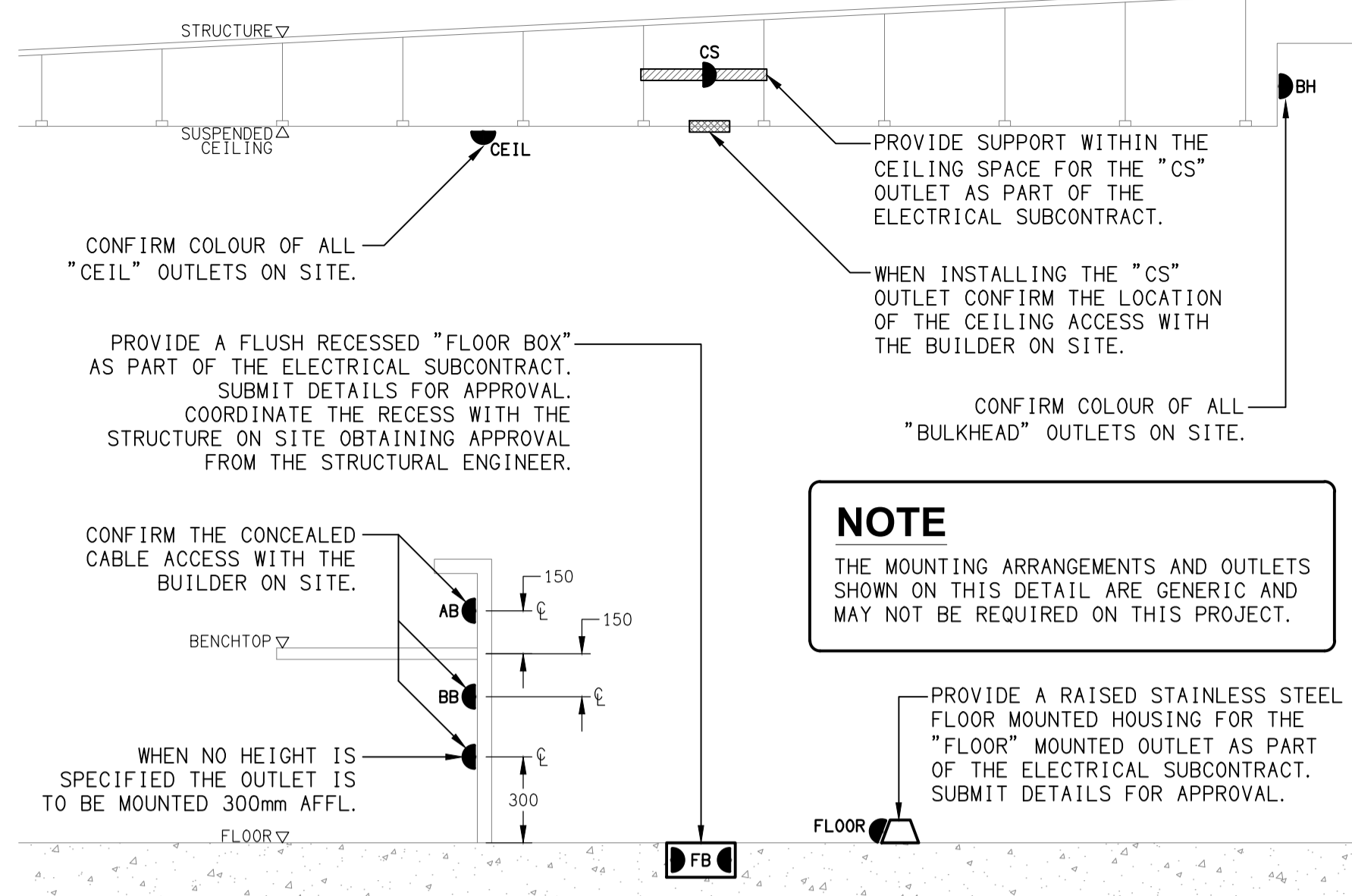
- FUSE.
- SINGLE PHASE.
- THREE PHASE.
- CURRENT TRANSFORMER C/W REMOVABLE LINK.
- FUSE LINK.
- COMBINED FUSE SWITCH.
- CIRCUIT BREAKER.
- ISOLATOR.
- RESIDUAL CURRENT DEVICE.
- CONTACTOR - NORMALLY OPEN.
- CONTACTOR - NORMALLY CLOSED.
- REFER TO DETAIL NOTED FOR THE AREA SHOWN HATCHED. ADDITIONAL OUTLETS & FITTINGS MAY BE SHOWN ON DETAIL.
- E1: GENERAL LED EMERGENCY LIGHT.
- EX: EMERGENCY LED EXIT LIGHT.
- Lx: LIGHT FITTING C/W NON-MAINTAINED EMERGENCY BATTERY PACK. TYPE AS NOTED.
- L1: OVERHEAD CUPBOARD LED STRIP LIGHT.
- L2: 600 x 600 RECESSED T-BAR FLAT PLATE.
- L3: 600 x 600 RECESSED FLAT PLATE.
- L4: AMENITY RECESSED DOWNLIGHT.
- L5: RECESSED DOWNLIGHT.
- L6: RECESSED DOWNLIGHT.
- L7: RECESSED DOWNLIGHT.
- L8: RECESSED DOWNLIGHT.
- L9: RECESSED DOWNLIGHT.
- L10: SUSPENDED HIGH BAY FITTING.
- L11: 1200 LONG IP65 BATTEN C/W EMERGENCY PACK.
- L12: SURFACE MOUNTED CAR PARK LIGHT C/W MOVEMENT SENSOR.
- L13: 3800 LONG RECESSED EXTRUSION FITTING.
- L14: 1200 LONG IP65 SURFACE MOUNTED BATTEN C/W MOVEMENT SENSOR.
- L15: 1200 LONG IP65 SURFACE MOUNTED BATTEN.
- L16: WALL MOUNTED CARPARK LIGHT.
- L17: 50W CARPARK LIGHT ON A 9m HIGH POLE.
- L18: 150W CARPARK LIGHT ON A 9m HIGH POLE.
- L19: RECESSED DOWNLIGHT.
- L20: 7000 LONG SURFACE MOUNTED EXTRUSION.
- L21: ROD SUSPENDED HIGH BAY FITTING.

NOTE

ALL ELECTRICAL PENETRATIONS THROUGH THE ROOF SHEETING ARE TO BE IN LINE WITH THE STRUCTURAL OR MECHANICAL SERVICES PENETRATIONS TO AVOID DEDICATED FLASHINGS FOR THE ELECTRICAL SERVICES.



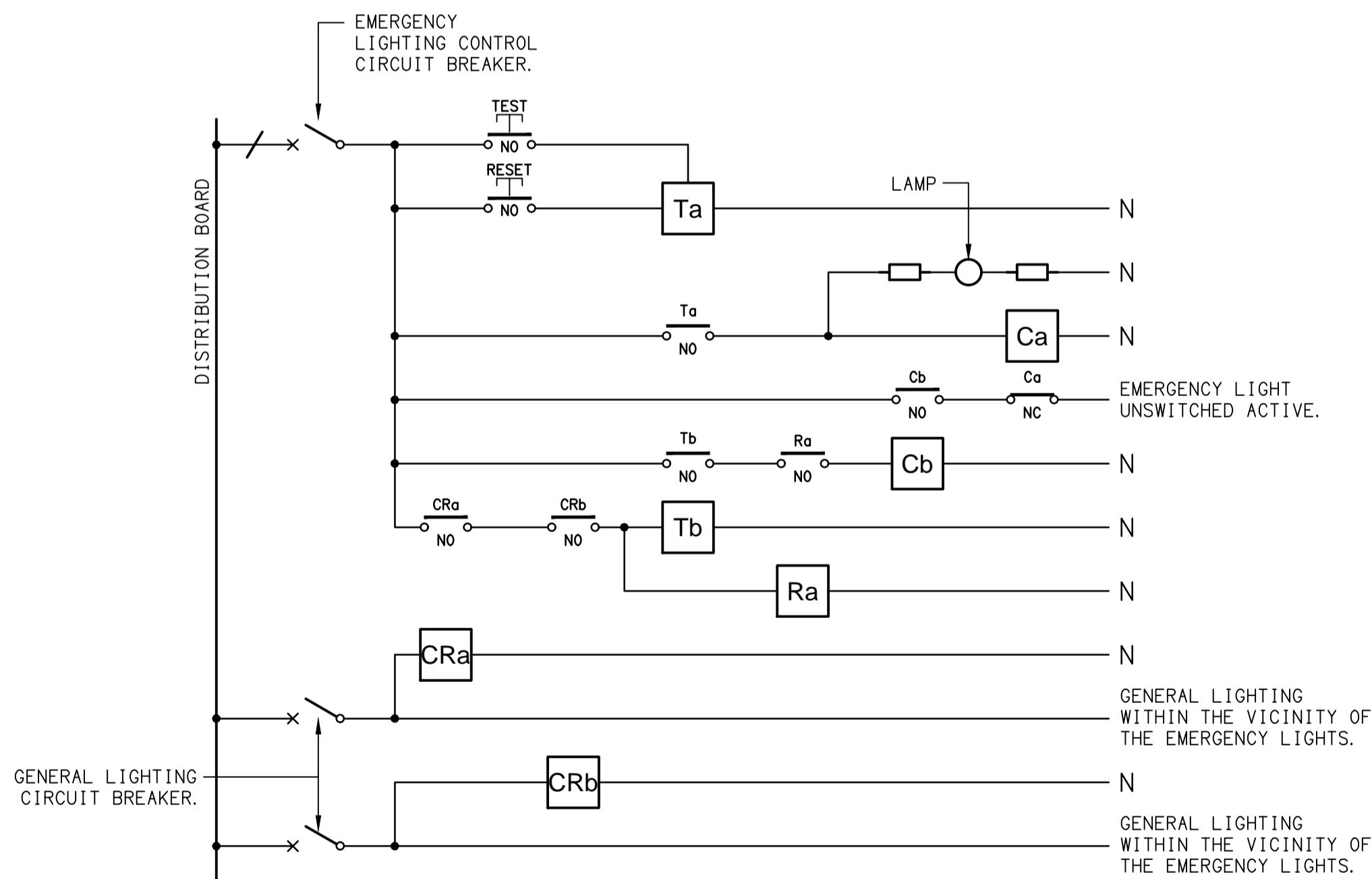
SCHEMATIC
RJ45 PINOUT CONFIGURATION
NOT TO SCALE



DETAIL
TYPICAL OUTLET MOUNTINGS
NOT TO SCALE

EQUIPMENT:

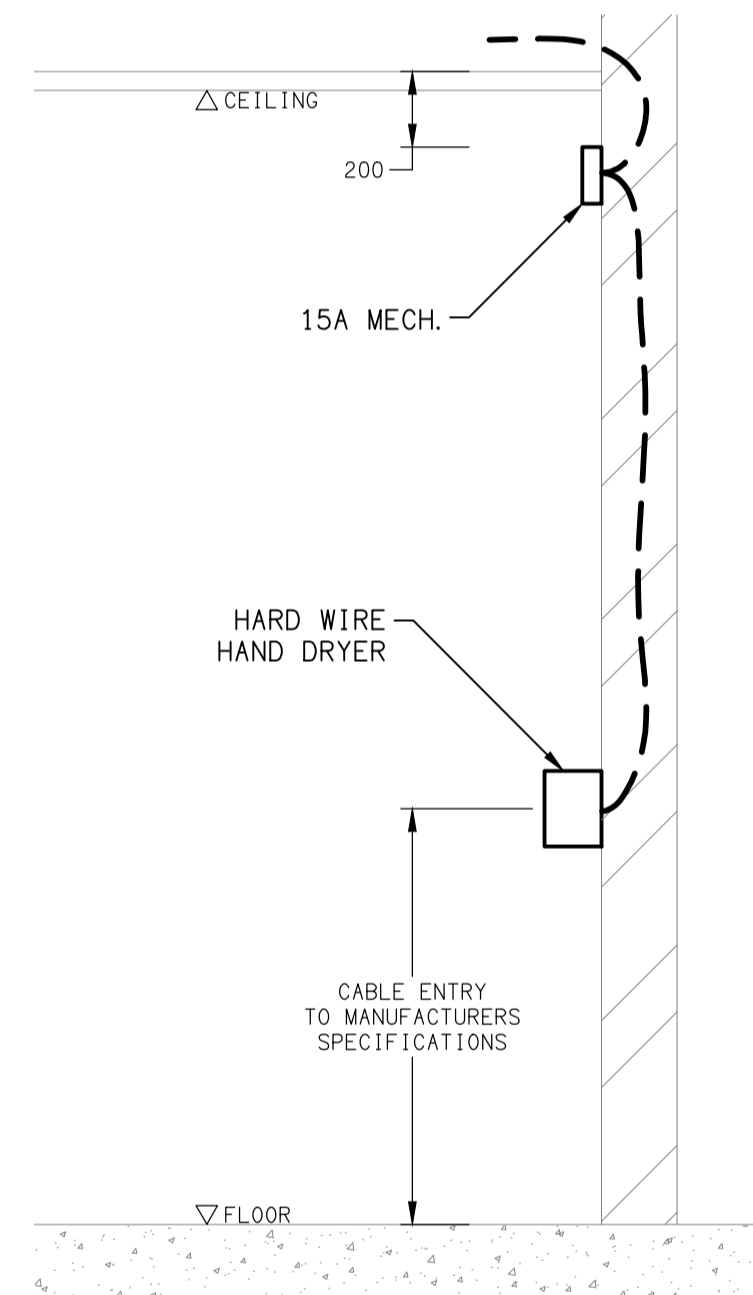
- TEST - TEST PUSH BUTTON MOUNTED ON THE DISTRIBUTION BOARD ESCUTCHEON.
- RESET - RESET PUSH BUTTON MOUNTED ON THE DISTRIBUTION BOARD ESCUTCHEON.
- LAMP - AMBER TEST INDICATING LAMP MOUNTED ON THE DISTRIBUTION BOARD ESCUTCHEON.
- Ta - ADJUSTABLE 0-3 HOUR TIMED RELAY.
- Tb - 15 MINUTE RUN-ON TIMER TO OPERATE UPON THE RETURN OF MAINS POWER.
- Cx - CONTACTOR x.
- CRx - CONTROL RELAY x.
- Rx - RELAY x.



SCHEMATIC
EMERGENCY LIGHTING
NOT TO SCALE

NOTES

1. THE EMERGENCY LIGHT UNSWITCHED ACTIVE / GENERAL LIGHTING SWITCHED ACTIVE CIRCUIT ARRANGEMENT AND CONTROL IS TYPICAL FOR ALL CIRCUITS SUPPLYING EMERGENCY LIGHTS.
2. PROVIDE ADDITIONAL CONTROL RELAYS (CRx) CONFIGURED AS PER CRa AND CRb FOR ALL ADDITIONAL LIGHTING CIRCUITS THAT SUPPLY LIGHTS IN THE VICINITY OF THE EMERGENCY LIGHTS.



DETAIL
HAND DRYER CONNECTION
NOT TO SCALE